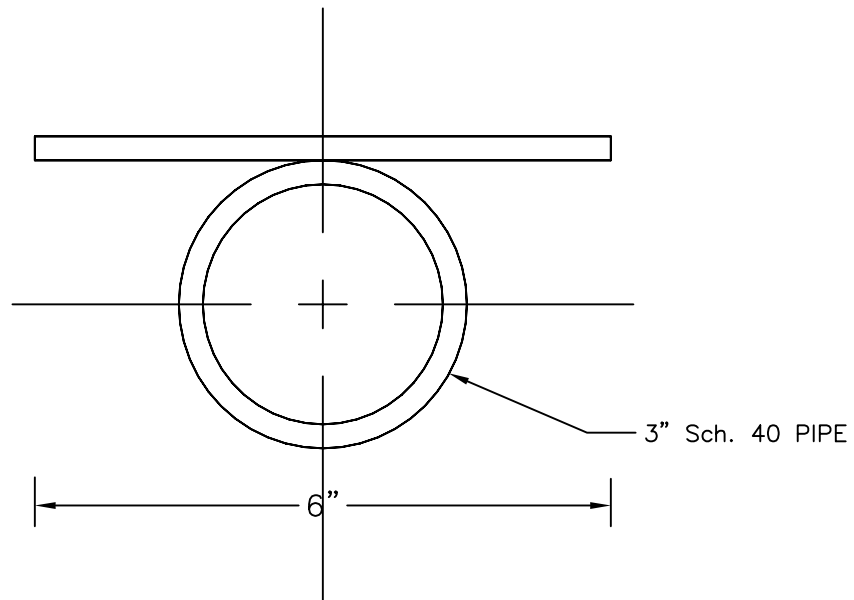
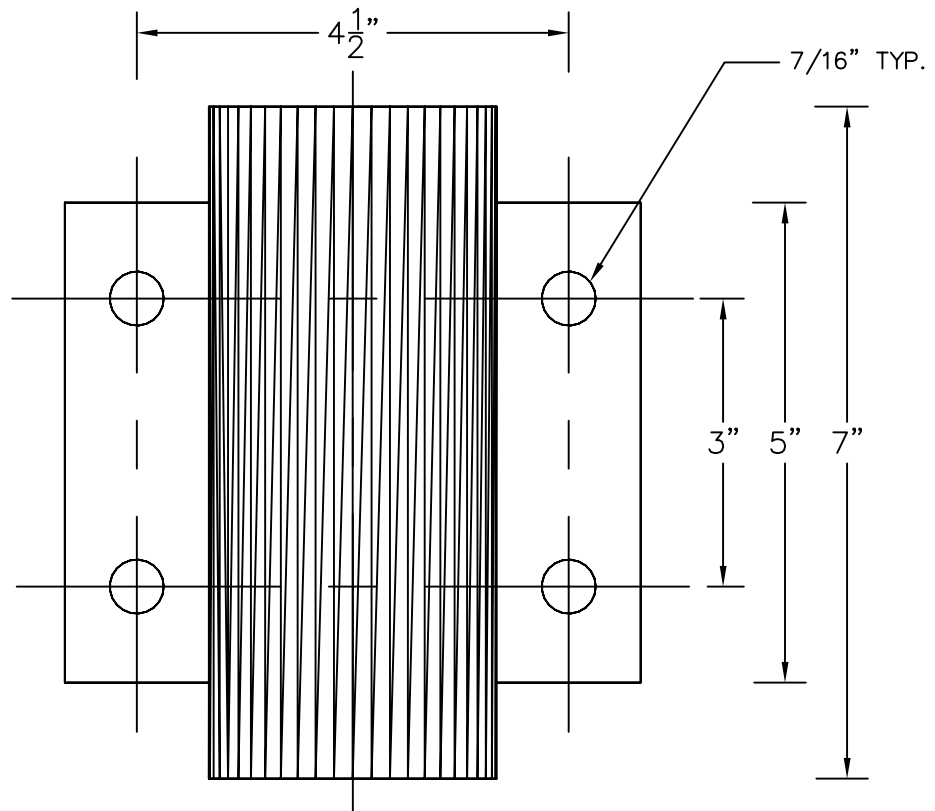


Top View



Front View



(K) Pipe Holder/Outside 3"  
bolt to outside of dock. Carriage bolt set  
required for attaching.