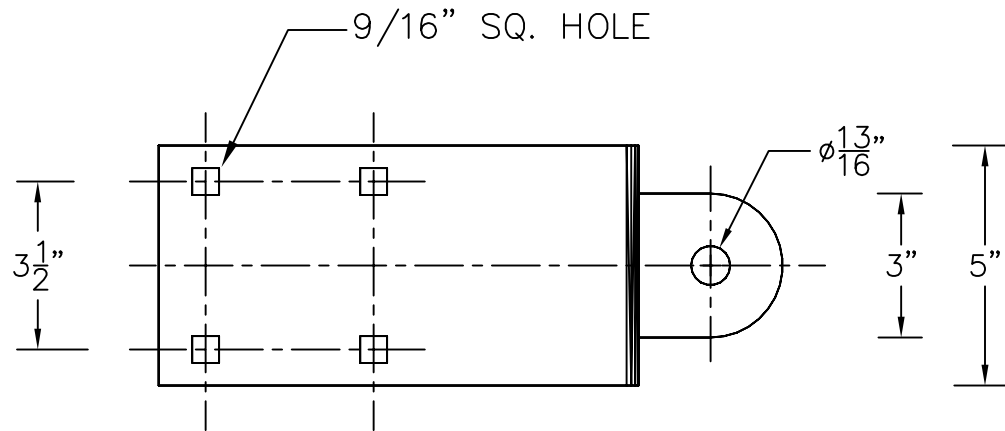
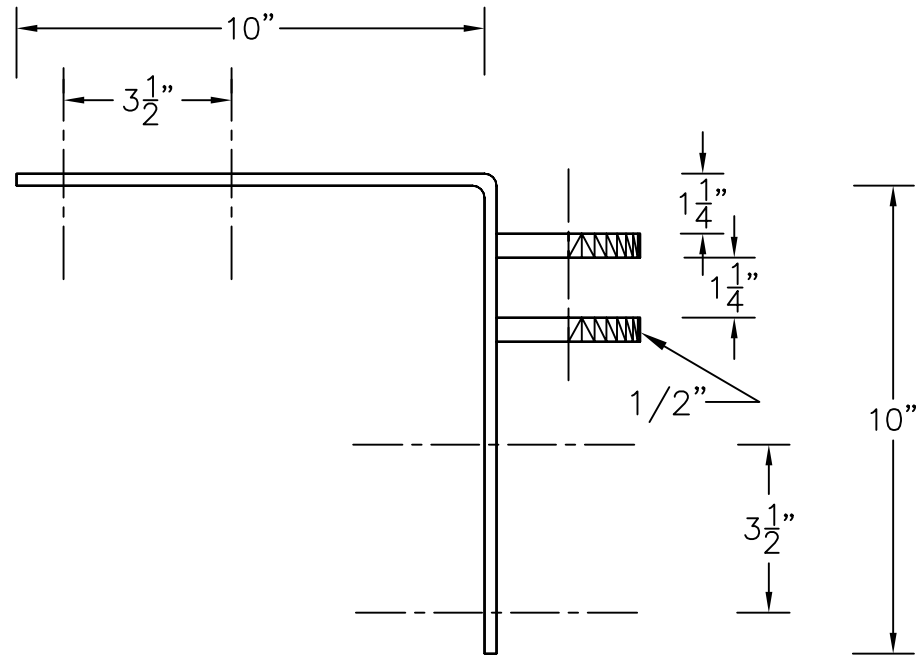


Top View



(A) Outside Corner (female)
has two 1/2" welded tabs. Used with a
male outside corner.